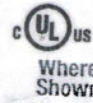


The Original CONDUIT AND BOX SUPPORT PLATE



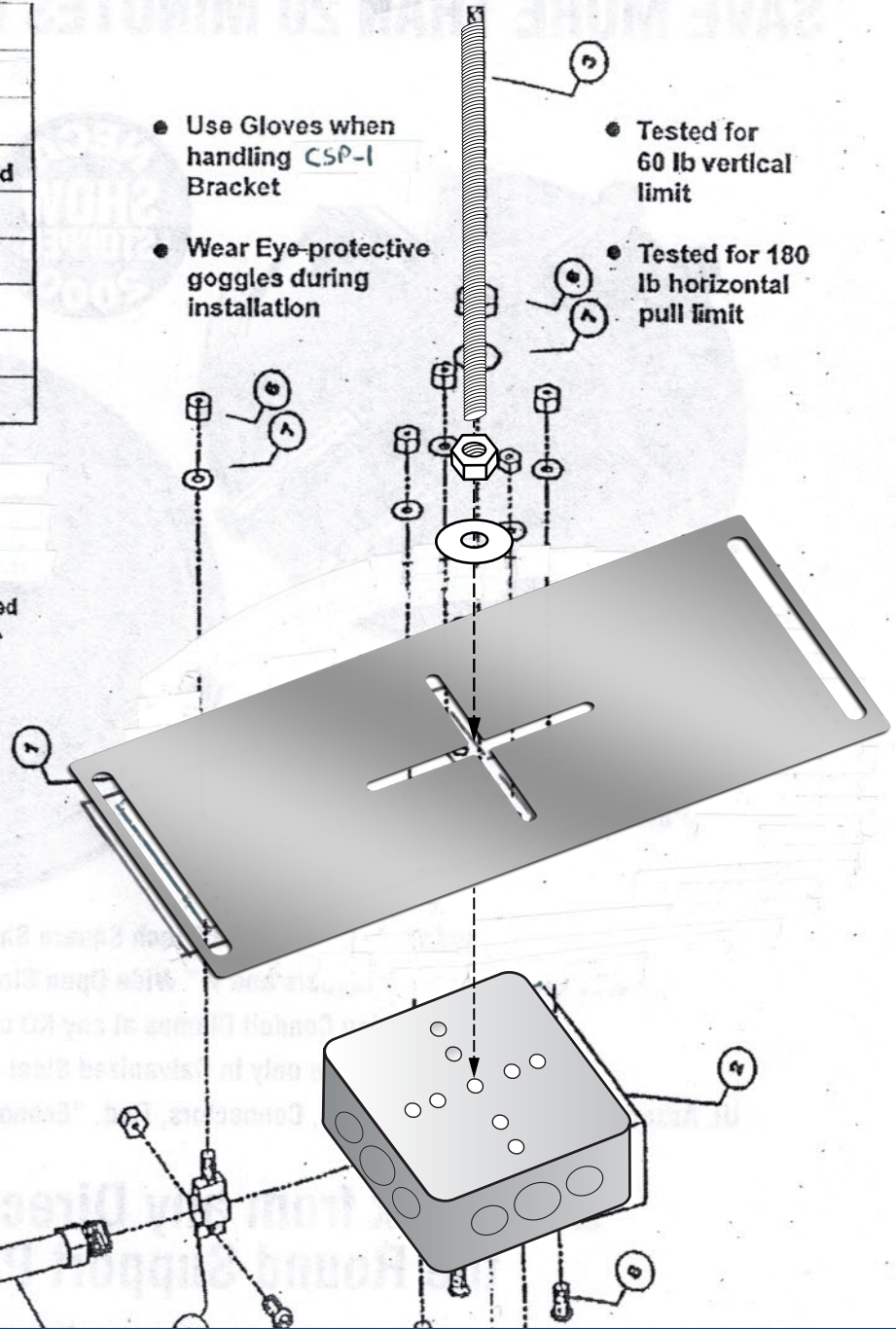
PRODUCTS, INC.
Productivity and Value thru Ideas

1-800-233-8595 info@spproducts.com



ITEM	QTY	NAME
1	1	CSP-1
2	1	Conduit Box
3	1	1/4"-20 All Thread Rod
4	1	Conduit
5	5	Conduit Strap
6	8	1/4"-20 Hex Nut
7	7	1/4" Washer
8	5	1/4" -20 Screw

- Use Gloves when handling CSP-1 Bracket
- Wear Eye-protective goggles during installation
- Tested for 60 lb vertical limit
- Tested for 180 lb horizontal pull limit



CSP-1



File # E 165176

All Rights Reserved
Made in the USA

INSTALLATION

Rigid Conduit

- Tested to support up to 1-3/4 inch inch conduit
- Hanger Recommendation
Use 3/8-inch thread rod

EMT Conduit

- Tested to support up to 3 inch
- Hanger Recommendation
 - For 3/4-inch to 1-1/2-inch
- Use 1/4-inch thread rod
 - For 2-inch to 3-inch conduit
- Use 1/2-inch thread rod



Hanger, Conduit/Pipe
Galvanized Steel,
With Closure Bolt &
Square Nut.

SP PRODUCTS, INC
Productivity and value thru ideas



PATENTED

LABELS APPLY TO PRODUCTS ONLY WHERE SHOWN ABOVE



730 Pratt Boulevard • Elk Grove Village, IL 60007
P: (847) 593-8595 • F: (847) 593-8629 • Toll-free (800) 233-8595
E: info@spproducts.com • www.spproducts.com

IP5