



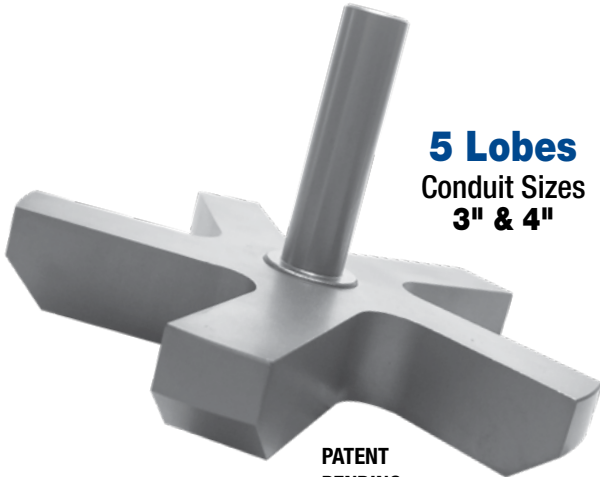
# Chamfer Bits for Aluminum & Galvanized Rigid Conduit



- Deburrs at any location
- Provides smooth chamfer
- Safer, Better & Faster
- Works with any type of drill with 1/2" chuck

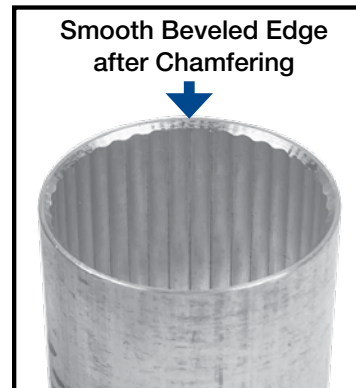


**4 Lobes**  
Conduit Sizes  
1/2" thru  
2-1/2"



**5 Lobes**  
Conduit Sizes  
3" & 4"

PATENT  
PENDING



Smooth Beveled Edge  
after Chamfering

Catalog #	Conduit Size
ALCE-50-75-100	1/2"-3/4"-1"
ALCE-125-150	1-1/4"-1-1/2"
ALCE-200-250	2"-2-1/2"
ALCE-300-350	3"-3-1/2"
ALCE-400	4"

**Customer must satisfy all codes and owners' specifications.**



PATENT PENDING  
PATENTED



LABELS APPLY TO PRODUCTS ONLY WHERE SHOWN ABOVE

730 Pratt Boulevard • Elk Grove Village, IL 60007  
P: (847) 593-8595 • F: (847) 593-8629 • Toll-free (800) 233-8595  
E: info@spproducts.com • www.spproducts.com

**IP16**