

NEW

QwikBlock Box Support

MADE IN USA

CAT#	QWIKBLOCK
QBBS-25/38	1/4" & 3/8" Threaded Rod
QBBS-50	1/2" Threaded Rod

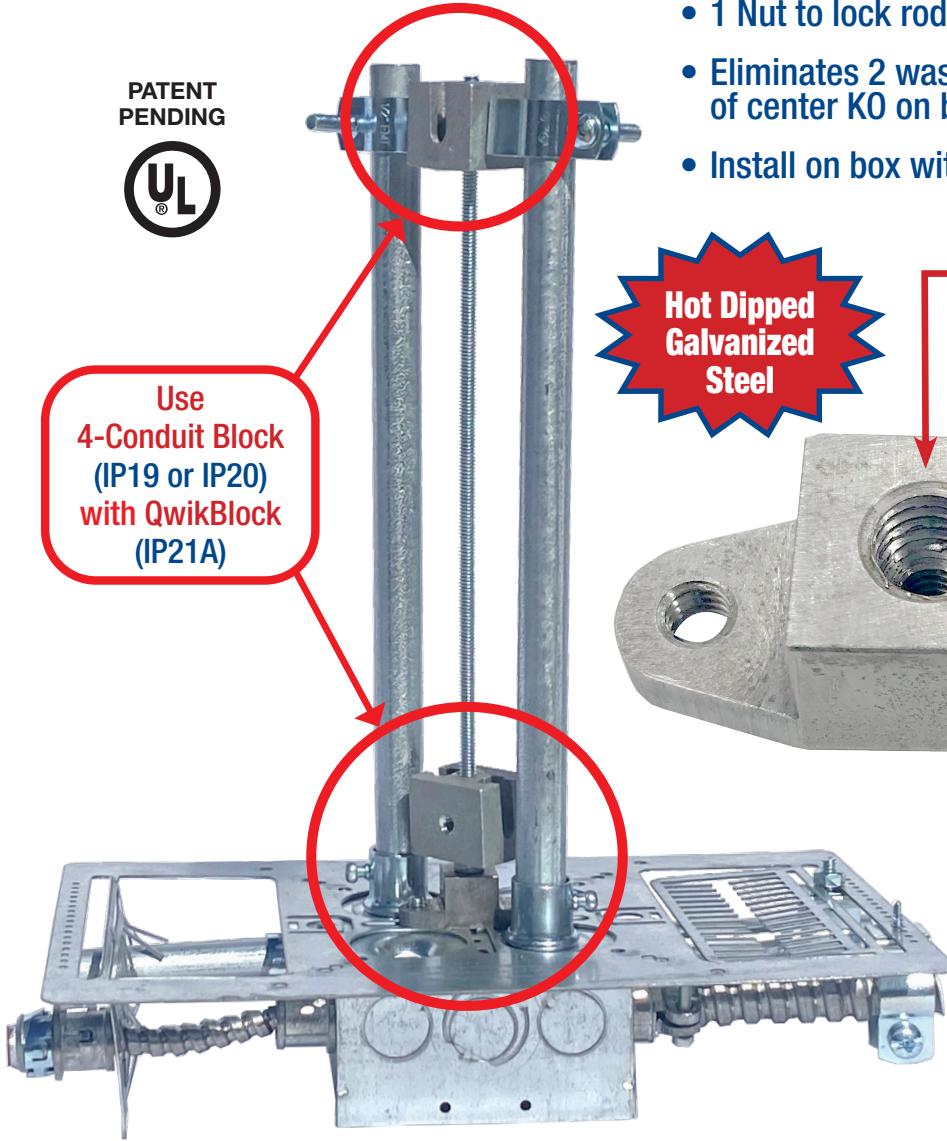
Saves More Than **15** Minutes Per Installation

- Accepts 4", 4 11/16" & 5" boxes
- Automatically centers rod
- 1 Nut to lock rod in place
- Eliminates 2 washers, 1 nut and knockout of center KO on back of box
- Install on box with or without plate

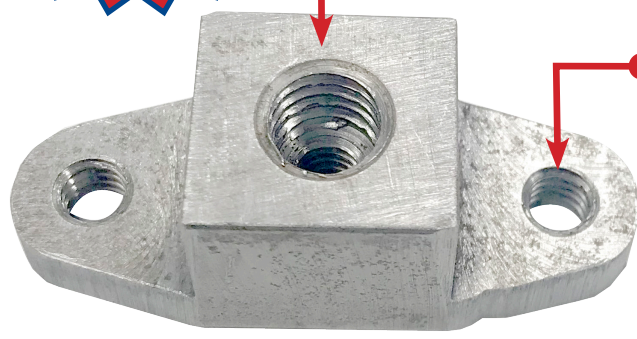
PATENT PENDING



Use 4-Conduit Block (IP19 or IP20) with QwikBlock (IP21A)

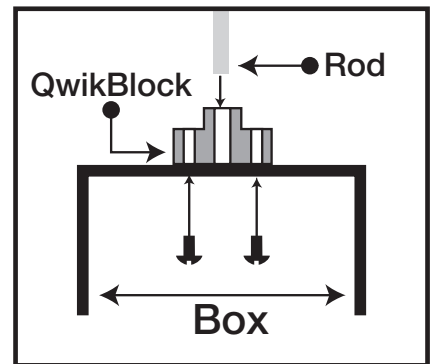


Hot Dipped Galvanized Steel



Tapped hole for 1/4" & 3/8" threaded rod. Also available for 1/2" rod (special order only.)

Attach to box with (2) 1/4"- 20 x 1/2" machine screw.



Works with Our Entire Line of Conduit and Box Support Plates for Fast and Easy Installation

Customer must satisfy all codes and owners' specifications.

SP PRODUCTS, INC
Productivity and value thru ideas



PATENT PENDING
PATENTED

LABELS APPLY TO PRODUCTS ONLY WHERE SHOWN ABOVE



730 Pratt Boulevard • Elk Grove Village, IL 60007
P: (847) 593-8595 • F: (847) 593-8629 • Toll-free (800) 233-8595
E: info@spproducts.com • www.spproducts.com

IP21a