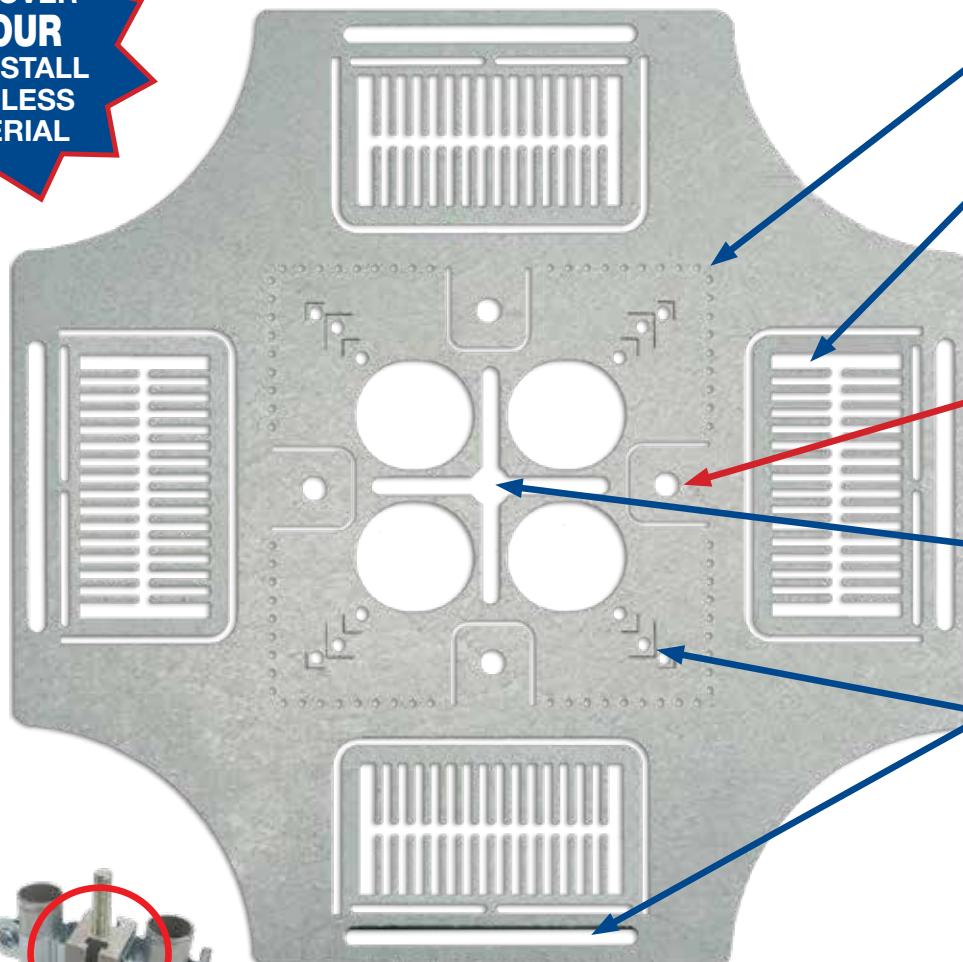


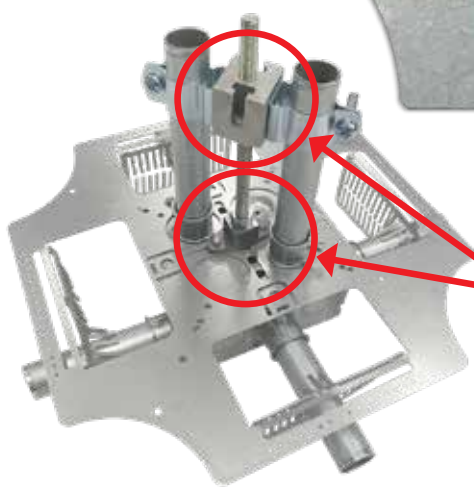


4-WAY BOX SUPPORT PLATE with Split Fingers for Horizontal or Vertical Installation

**SAVE OVER
1 HOUR
PER INSTALL
WITH LESS
MATERIAL**



- 1** Used with 4", 4 1/2" or 5" square outlet plus 6 x 6 and 8 x 8 junction boxes.
- 2** Eliminates ALL conduit clamps. Bend large tabs with split fingers out and feed up thru 1/4" conduit or equal O.D. McCable into box at any KO location on all 4 sides of box.
- 3** Bend 4 smaller tabs out and insert 1/4", 3/8", or 1/2" rod secured with nuts for vertical support.
- 4** OR insert rod in fixed center hole of plate and also secure with our QWIK BLOCK (IP21a) for horizontal support.
- 5** 1/4" slots for fastening conduit clamps to plate with nuts and bolts plus holes for TEK screws if required. 1/4" slots and TEK screw holes allow conduit for other systems to be supported above the plate for even greater savings!



UL US PATENT PENDING

Use 4-Conduit Block (IP19 or IP20) with QwikBlock (IP21A)

| Cat# | 2-Way Desc. | Wt. Ea. | Qty/Box |
|-----------------|--|-----------|---------|
| CSPV-4W-FC (SS) | 11-1/2" x 11-1/2" 18 Gauge Galvanized or Stainless Steel (SS) | 0.75 lbs. | 25 |



**PATENT PENDING
PATENTED**



LABELS APPLY TO PRODUCTS ONLY WHERE SHOWN ABOVE

730 Pratt Boulevard • Elk Grove Village, IL 60007
P: (847) 593-8595 • F: (847) 593-8629 • Toll-free (800) 233-8595
E: info@spproducts.com • www.spproducts.com

