



Roof Top Blox

Roof Conduit Support

Safer, Lighter and Faster!

Also Available with Various Lengths of Galvanized Steel Strut Attached

EXTREMELY COMPETITIVE PRICING

Eliminates cutting and hauling, expensive treated lumber or heavy rubberized supports up to roof.

- Recycled black plastic. Can qualify for LEED Credits.
- Quickly secure conduit with an inexpensive one hole strap.
- Block floats free on roof. Allows movement to prevent damage to roof membrane when conduit expands and contracts due to temperature changes.
- Single Point load rating 250 lbs. or Dual Point/Strut Mounted 350 lb. load rating.
- Perfect for gas piping, plumbing, HVAC, conduit, cable tray & mechanical equipment.

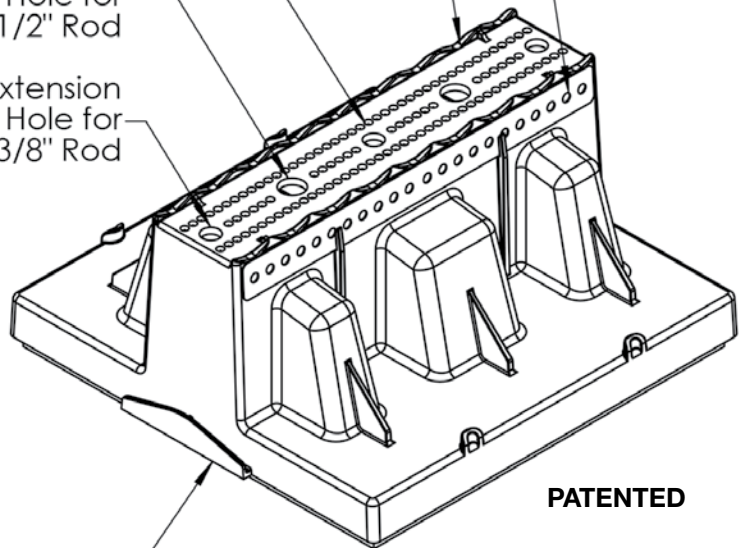
Reinforced Starter Guides For #12/#14 Screws

Pipe Saddles Along Top Edges

Removable Perforated Strap

2 X Extension Rod Hole for 1/2" Rod

3 X Extension Rod Hole for 3/8" Rod



PATENTED

Interlocking End-to-End Tabs

Cat#	Desc.
RTB-2000	Roof Top Blox

Single Point 250 lb. Load Rating

Also Available with Various Lengths of Any Type Strut Attached

For Electrical, Plumbing, HVAC, etc.



PATENT PENDING
PATENTED



LABELS APPLY TO PRODUCTS ONLY WHERE SHOWN ABOVE

730 Pratt Boulevard • Elk Grove Village, IL 60007

P: (847) 593-8595 • F: (847) 593-8629 • Toll-free (800) 233-8595

E: info@spproducts.com • www.spproducts.com

IP9