

Chamfer Bits



for Aluminum & Galvanized Rigid Conduit



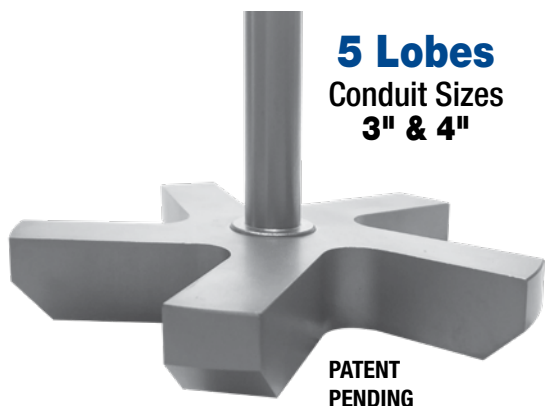
- Deburrs at any location
- Provides smooth chamfer
- Safer, Better & Faster
- Works with any type of drill with 1/2" chuck



4 Lobes
Conduit Sizes
1/2" thru
2-1/2"



5 Lobes
Conduit Sizes
3" & 4"



PATENT
PENDING



Catalog #	Conduit Size
ALCE-50-75-100	1/2"-3/4"-1"
ALCE-125-150	1-1/4"-1-1/2"
ALCE-200-250	2"-2-1/2"
ALCE-300-350	3"-3-1/2"
ALCE-400	4"

1/2" thru 4"
1/2" Chuck



PATENT PENDING
PATENTED



LABELS APPLY TO PRODUCTS ONLY WHERE SHOWN ABOVE

730 Pratt Boulevard • Elk Grove Village, IL 60007
P: (847) 593-8595 • F: (847) 593-8629 • Toll-free (800) 233-8595
E: info@spproducts.com • www.spproducts.com

TE6b