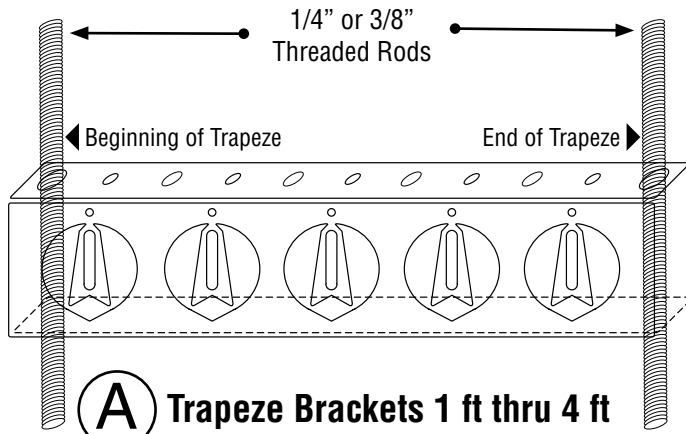


Conduit Trapeze Brackets

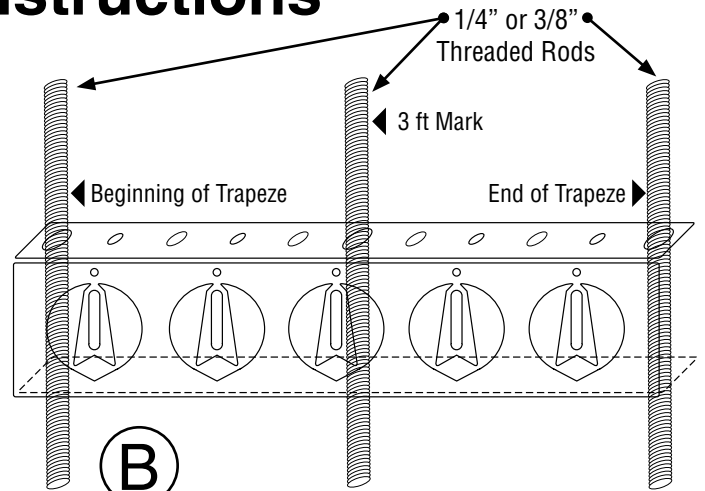
UL US PATENTED
E185948

Mounting Instructions



A Trapeze Brackets 1 ft thru 4 ft

- Cat# EZUTB 12-16-GS(SS) – 1ft Trapeze
- Cat# EZUTB 24-16-GS(SS) – 2ft Trapeze
- Cat# EZUTB 36-16-GS(SS) – 3ft Trapeze
- Cat# EZUTB 48-16-GS(SS) – 4ft Trapeze



B Trapeze Brackets 5 ft and 6 ft

- Cat# EZUTB 60-16-GS(SS) – 5ft Trapeze
- Cat# EZUTB 72-16-GS(SS) – 6ft Trapeze

Supporting 1/2" thru 1 1/4" Rigid, Thinwall or IMC conduit

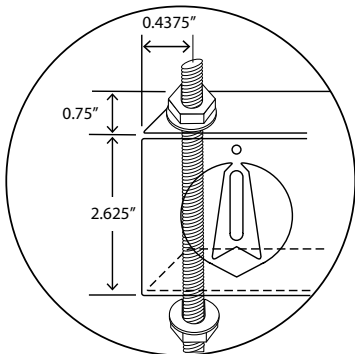


Figure 1

- 1) Mount trapeze bracket to structure of building with rods, nuts, bolts and washers as shown in detail *Figure 1*.
- 2) Bend tabs back and slide conduit thru openings. For greater holding power use 1/4" x 20 bolts thru threaded top holes to lock rods on conduit or screw down directly onto conduit if tabs are missing *Figure 2*.

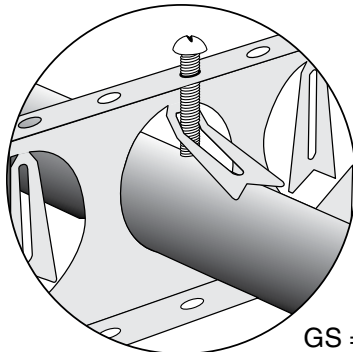


Figure 2

GS = Galvanized Steel 16 Gauge
SS = Stainless Steel 304 Grade or specify

Parts needed for 1ft thru 4 ft Brackets

Item	Qty	
1	1	EZUTB 12-16 GS (SS)
2	2	Threaded Rod 3/8" or 1/4"
3	4	Washers 3/8" or 1/4"
4	4	3/8" or 1/4" x 20 Hex Nuts
5	5 per foot	1/2" – 1 1/4" Rigid, EMT or IMC Conduit

Parts needed for 5ft thru 6 ft Brackets

Item	Qty	
1	1	EZUTB 12-16 GS (SS)
2	3	Threaded Rod 3/8" or 1/4"
3	6	Washers 3/8" or 1/4"
4	6	3/8" or 1/4" x 20 Hex Nuts
5	5 per foot	1/2" – 1 1/4" Rigid, EMT or IMC Conduit

SP PRODUCTS, INC
Productivity and value thru ideas



PATENTED

LABELS APPLY TO PRODUCTS ONLY WHERE SHOWN ABOVE



730 Pratt Boulevard • Elk Grove Village, IL 60007
P: (847) 593-8595 • F: (847) 593-8629 • Toll-free (800) 233-8595
E: info@spproducts.com • www.spproducts.com

IP11