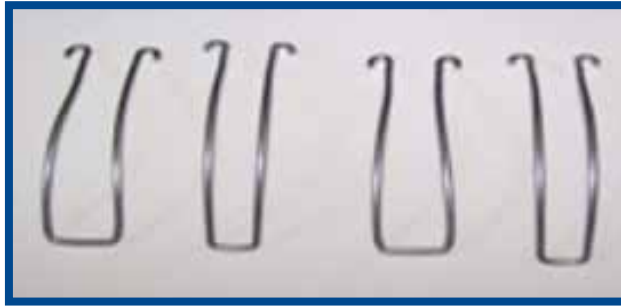


Original Cinch Clamp

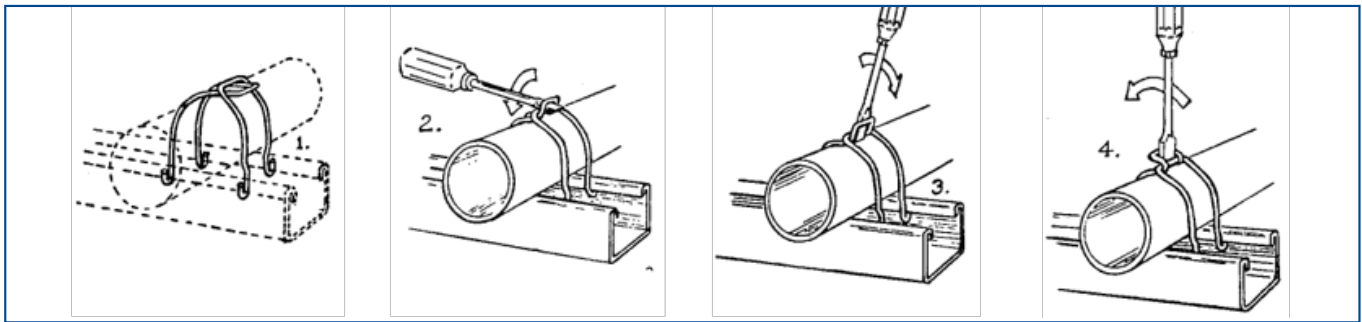
Since 1973



Only 1 Flat Blade
Screwdriver Needed



Eliminates Wrenches
Nuts and Bolts



- Installed quickly (50% labor savings)
- Competitively Priced
- High strength/heavy duty hot-dipped
- 10-gauge galvanized steel wire.
- Use with all strut type channel
- Securely fits EMT, Rigid, IMC, PVC and pipe
- Also available in stainless steel
- Sizes 1/2 thru 4 inch

Catalog #	Size	EMT OD	PIPE OD	Load	Load SS*
CC-50	1/2"	.706	.840	333 lbs	333 lbs
CC-75	3/4"	.922	1.050	100 lbs	333 lbs
CC-100	1"	1.163	1.315	333 lbs	100 lbs
CC-125	1 1/4"	1.510	1.660	333 lbs	333 lbs
CC-150	1 1/2"	1.740	1.900	333 lbs	100 lbs
CC-200	2"	2.197	2.375	333 lbs	100 lbs
CC-250	2 1/2"	NA	2.875	NA	333 lbs
CC-300	3"	NA	3.500	NA	333 lbs
CC-350	3 1/2"	NA	4.000	NA	333 lbs
CC-400	4"	NA	4.500	NA	333 lbs

*SS = Stainless Steel

Quick Application Saves Time and Money!

Customer must satisfy all codes and owners' specifications.



PATENTED



LABELS APPLY TO PRODUCTS ONLY WHERE SHOWN ABOVE

730 Pratt Boulevard • Elk Grove Village, IL 60007
 P: (847) 593-8595 • F: (847) 593-8629 • Toll-free (800) 233-8595
 E: info@spproducts.com • www.spproducts.com

IP23