

PVC End Bell Adapter

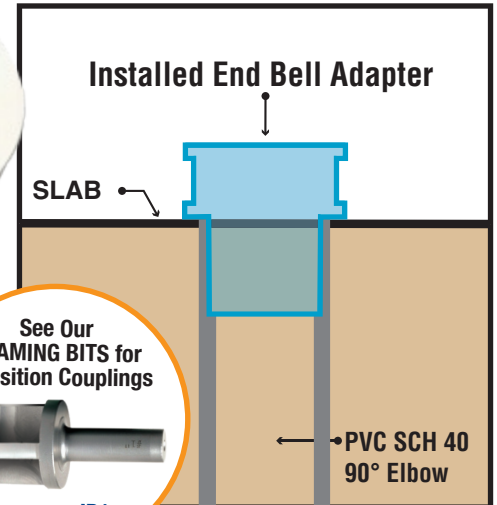
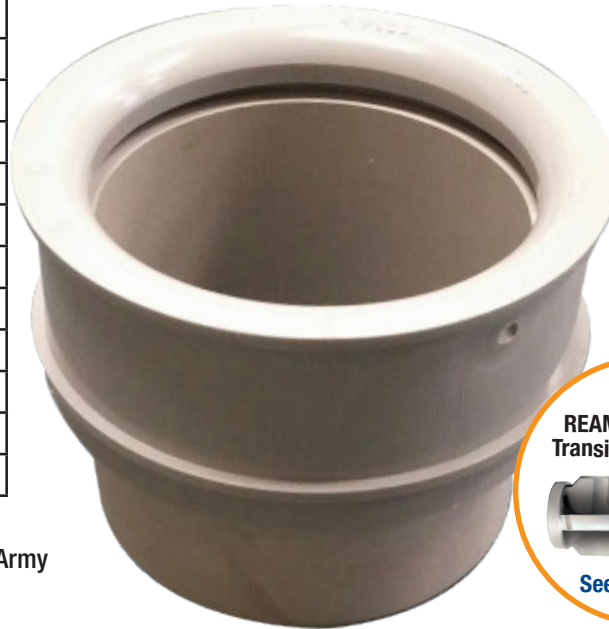
Sizes 1/2" thru 6"
PVC Schedule 40 & 80



PATENT PENDING



Catalog #	Size
PEBA-50	1/2 inches
PEBA-75	3/4 inches
PBEA-100	1 inches
PEBA-125	1 1/4 inches
PEBA-150	1 1/2 inches
PEBA-200	2 inches
PEBA-250	2 1/2 inches
PEBA-300	3 inches
PEBA-350	3 1/2 inches
PEBA-400	4 inches
PEBA-500	5 inches
PEBA-600	6 inches



See Our REAMING BITS for Transition Couplings

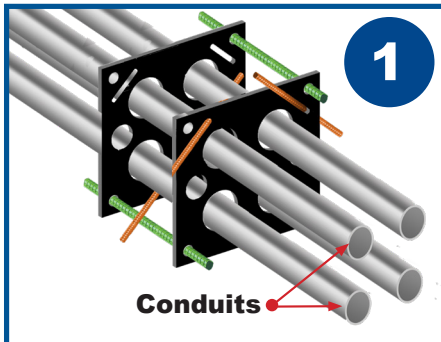


See page IP15

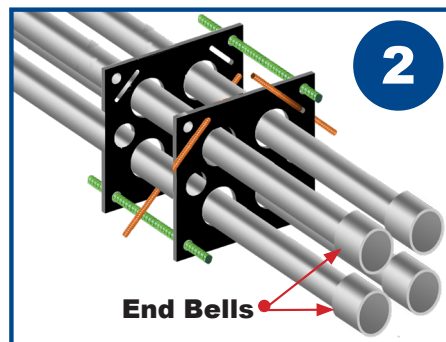
All Above Meet UL514B Plus...
CSA C22.2, No. 18.3-12 and US Army
Corps Engineers Specifications

Transitions in Less Than 5 Minutes!
Save Cost on the Rigid Nipple, Tape & Labor
Use for Entire Job - Not Just for Repair

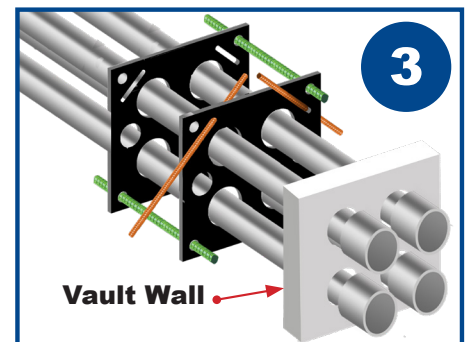
Perfect for use with QwikDuct HDPE Templates for Railway, Highway & Tollway



1. Align QwikDuct close to manhole or vault



2. Ream out conduits and glue on end bell adapters to each conduit inside or outside manhole or vault



3. Slide conduits with bell end adapters thru manhole openings inside or outside manhole or vault

Customer must satisfy all codes and owners' specifications.



PATENTED

LABELS APPLY TO PRODUCTS ONLY WHERE SHOWN ABOVE



730 Pratt Boulevard • Elk Grove Village, IL 60007

P: (847) 593-8595 • F: (847) 593-8629 • Toll-free (800) 233-8595

E: info@spproducts.com • www.spproducts.com

IP3a