

4-WAY CONDUIT & BOX SUPPORT PLATE

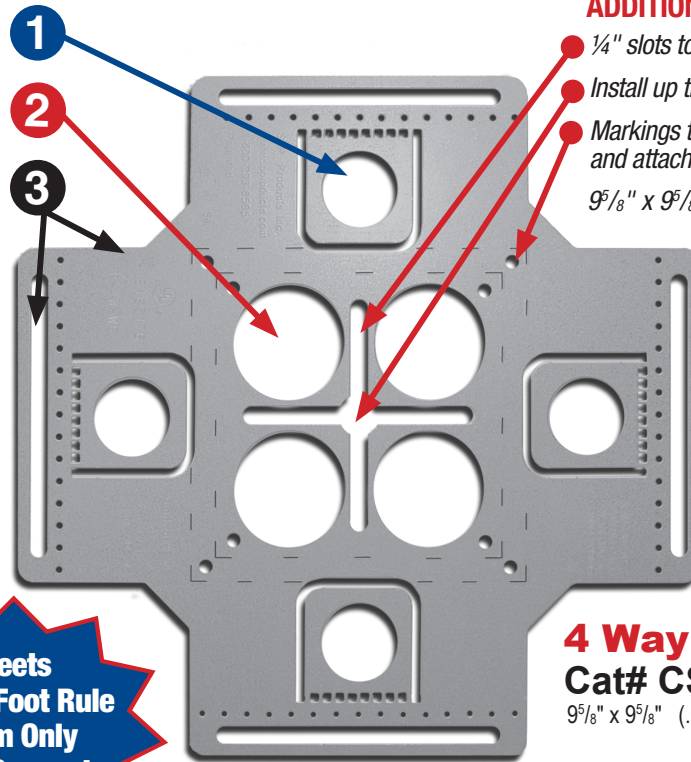


SAVE UP TO 1 HOUR PER INSTALLATION WITH LESS MATERIAL

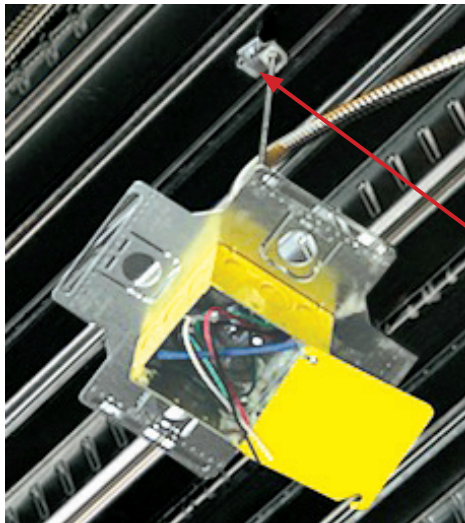
- 1** Eliminate center KO clamps for up thru $\frac{3}{4}$ " Conduit, Flex or equal size MC Cable entering all 4 sides of box at center KO locat on only. Bend tabs down, feed raceways thru openings to connectors on box. Holes for tek screws are also provided to attach conduit clamps when entering all other KO locations.
- 2** 4 large open KOs in center allow entering back of box with up thru $\frac{3}{4}$ " raceways to save even more time.
- 3** Tek screw holes and $\frac{1}{4}$ " slots for nuts and bolts to install clamps facing down to support up thru $1\frac{1}{4}$ " conduit and flex or equal size MC Cable entering all four sides at any KO location... or facing up for larger conduit overhead.

ADDITIONAL BENEFITS

- $\frac{1}{4}$ " slots to move plate.
 - Install up thru $\frac{1}{2}$ " threaded rod
 - Markings to Quickly center and attach box
- $9\frac{5}{8}$ " x $9\frac{5}{8}$ " (.07 lbs)

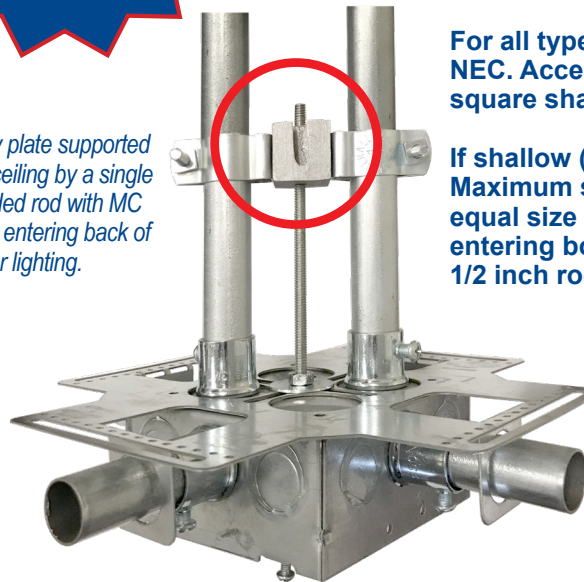


4 Way
Cat# CSP-4W-WC
 $9\frac{5}{8}$ " x $9\frac{5}{8}$ " (.07 lbs)



**Meets
NEC 3 Foot Rule
From Only
One Support**

4 Way plate supported from ceiling by a single threaded rod with MC Cable entering back of box for lighting.



For all types of raceways installed per NEC. Accepts 4 or $4\frac{11}{16}$ & 5" inch square shallow or deep boxes.

If shallow ($1\frac{1}{2}$ inch deep) Maximum size = $\frac{3}{4}$ inch conduit or equal size flexible conduit or MC Cable entering box. Suitable for $\frac{1}{4}$, $\frac{3}{8}$ or $\frac{1}{2}$ inch rod for support.

Plates also available as complete assemblies with any configuration of components (boxes, connectors, etc.)

Load rating of conduit and box support plates is associated with load rating of box and mounting hardware

Install larger conduit overhead with our patented 4 conduit threaded block support. Block also sold separately (see IP20)

Customer must satisfy all codes and owners' specifications.



PATENTED



LABELS APPLY TO PRODUCTS ONLY WHERE SHOWN ABOVE

730 Pratt Boulevard • Elk Grove Village, IL 60007
P: (847) 593-8595 • F: (847) 593-8629 • Toll-free (800) 233-8595
E: info@spproducts.com • www.spproducts.com

IP6