

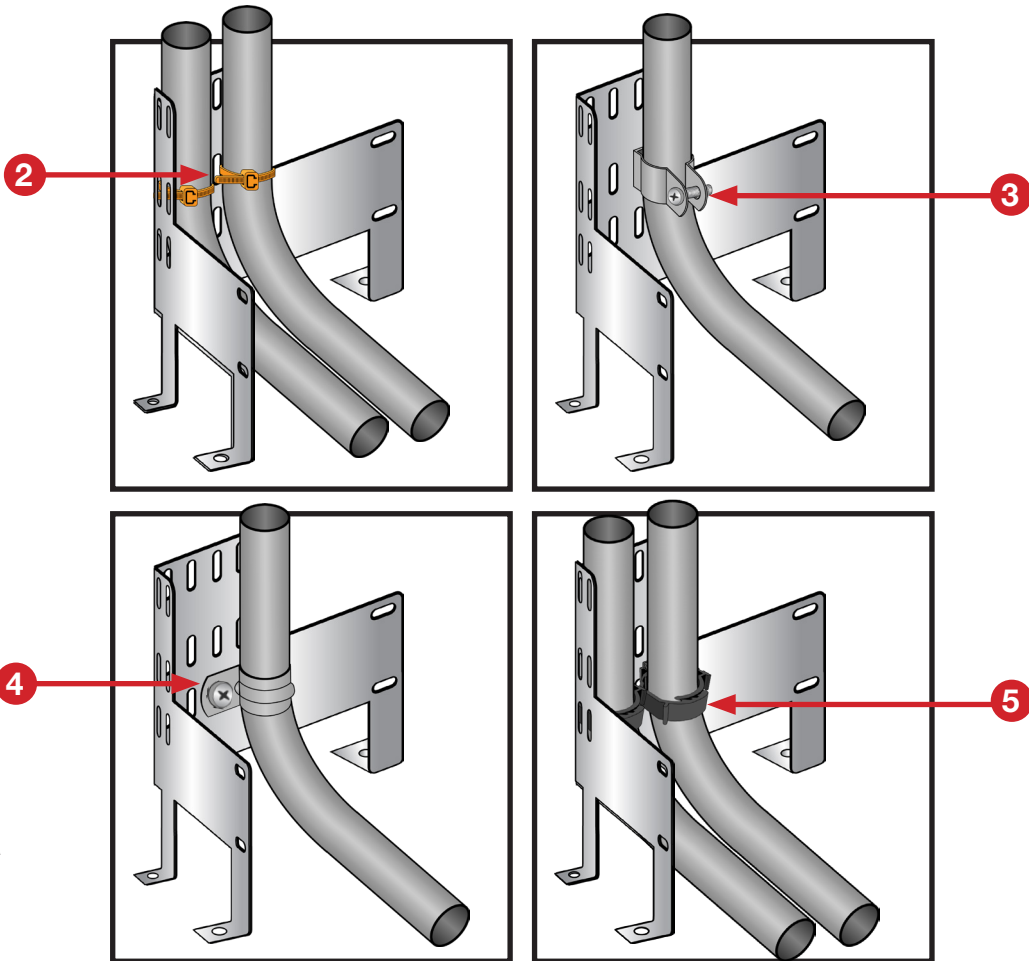
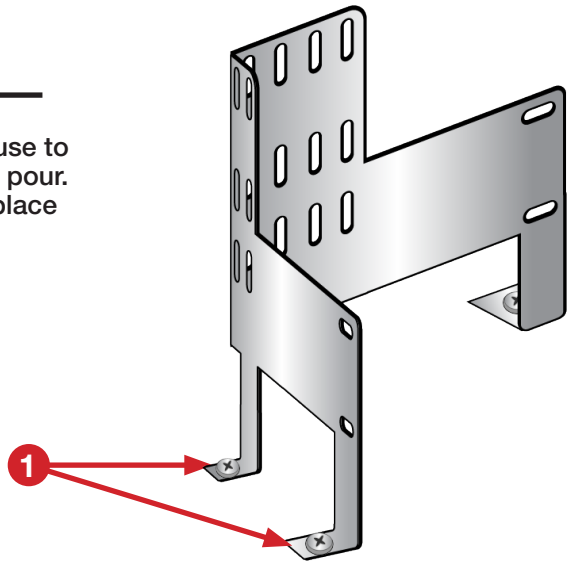
EZ Stub-Up Support Bracket -MSDS

INSTALLATION Single Applicaton

1 Secure EZ Stub-Up Support Bracket to deck and use to install 1 or 2 conduits in place before the concrete pour. 16 gauge galvanized steel secures the conduit in place during the concrete pour.

Secure conduits in place with:

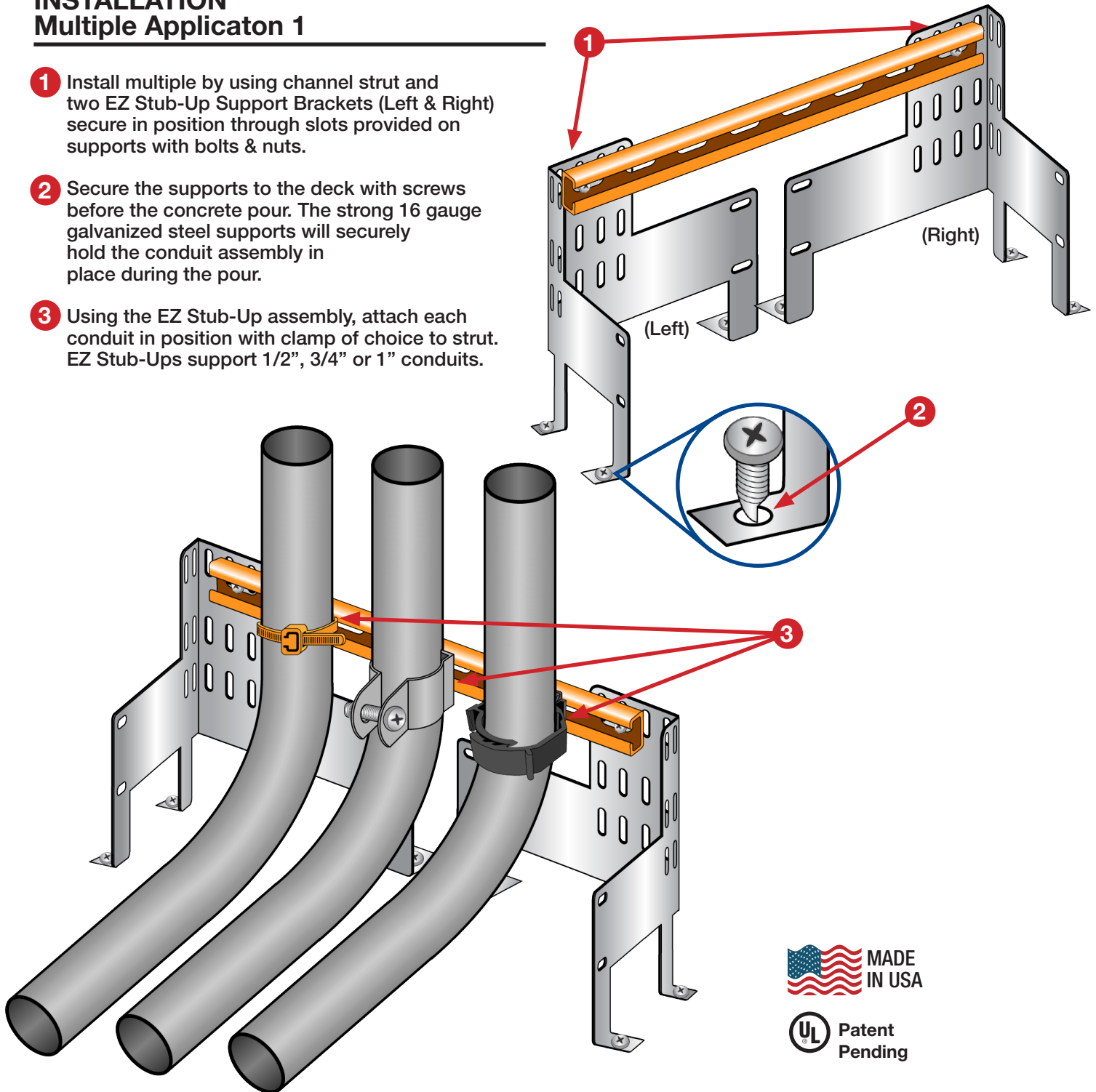
- 2** Cable ties
- 3** Minis
- 4** One hole clamps
- 5** Nylon wrap-around conduit straps



EZ Stub-Up Support Bracket - MSDS

INSTALLATION Multiple Applicaton 1

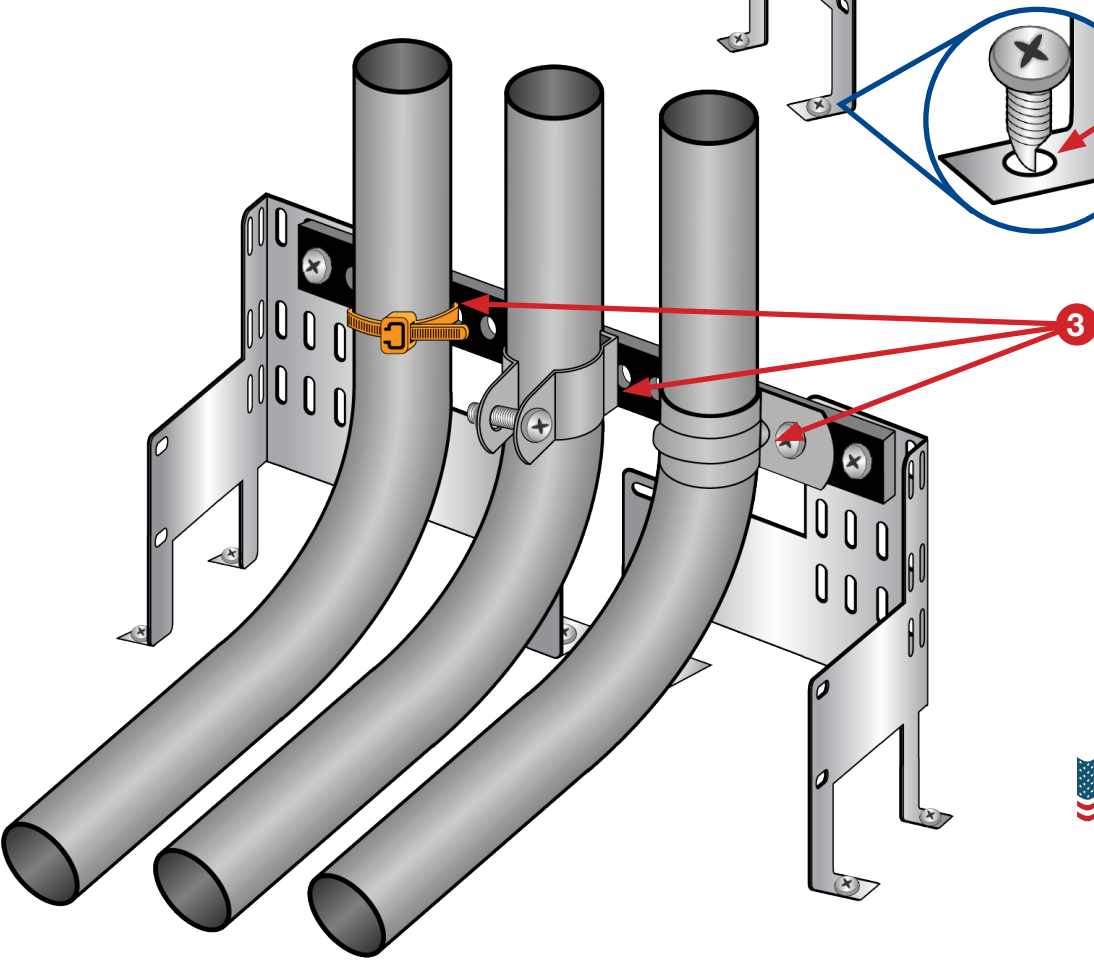
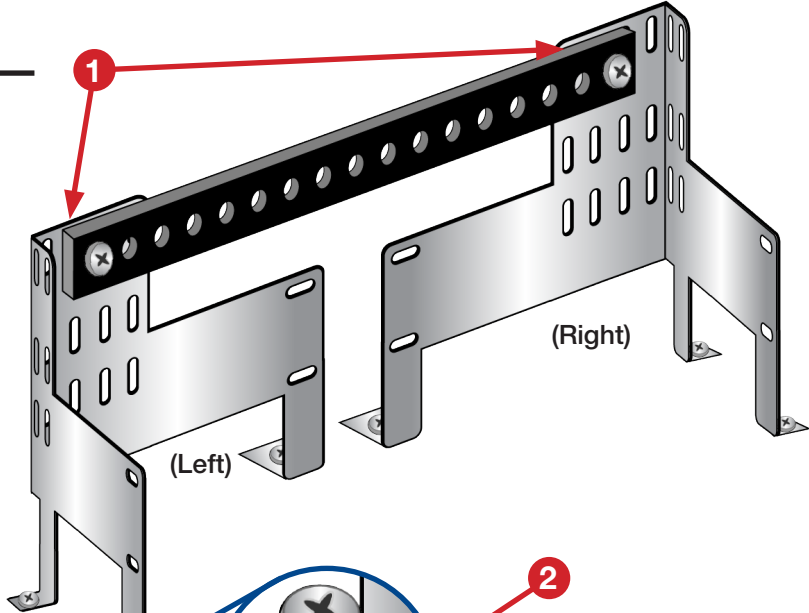
- 1** Install multiple by using channel strut and two EZ Stub-Up Support Brackets (Left & Right) secure in position through slots provided on supports with bolts & nuts.
- 2** Secure the supports to the deck with screws before the concrete pour. The strong 16 gauge galvanized steel supports will securely hold the conduit assembly in place during the pour.
- 3** Using the EZ Stub-Up assembly, attach each conduit in position with clamp of choice to strut. EZ Stub-Ups support 1/2", 3/4" or 1" conduits.



EZ Stub-Up Support Bracket - MSDS

INSTALLATION Multiple Applicaton 2

- 1** Install multiple by using HDPE and two EZ Stub-Up Support Brackets (Left & Right) secure in position through slots provided on supports with bolts & nuts.
- 2** Secure the supports to the deck with screws before the concrete pour. The strong 16 gauge galvanized steel supports will securely hold the conduit assembly in place during the pour.
- 3** Using the EZ Stub-Up assembly, attach each conduit in position with clamp of choice to strut. EZ Stub-Ups support 1/2" thru 1-1/4" conduits.



Patent
 Pending

EZ Stub-Up Support Bracket - MSDS

Cat#	Desc.
EZ-STUB-50-125 (Left)	16 Gauge Galvanized Steel Supports 1/2" thru 1-1/4" PVC Conduit
EZ-STUB-50-125 (Right)	16 Gauge Galvanized Steel Supports 1/2" thru 1-1/4" PVC Conduit



Patent
Pending

- Perfect for poured precast decks
- Strong 16 gauge galvanized steel
- Supports 1/2" thru 1-1/4" conduit
- Use in pairs for multiple conduit installations

